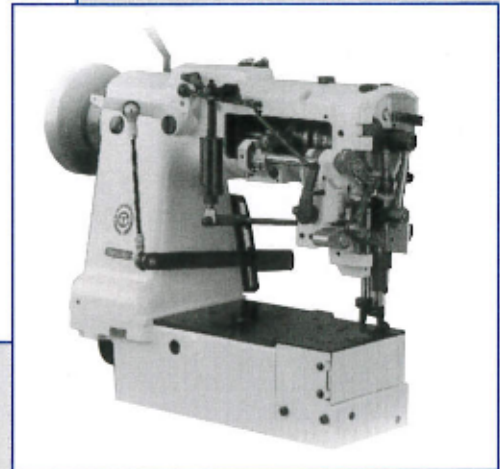
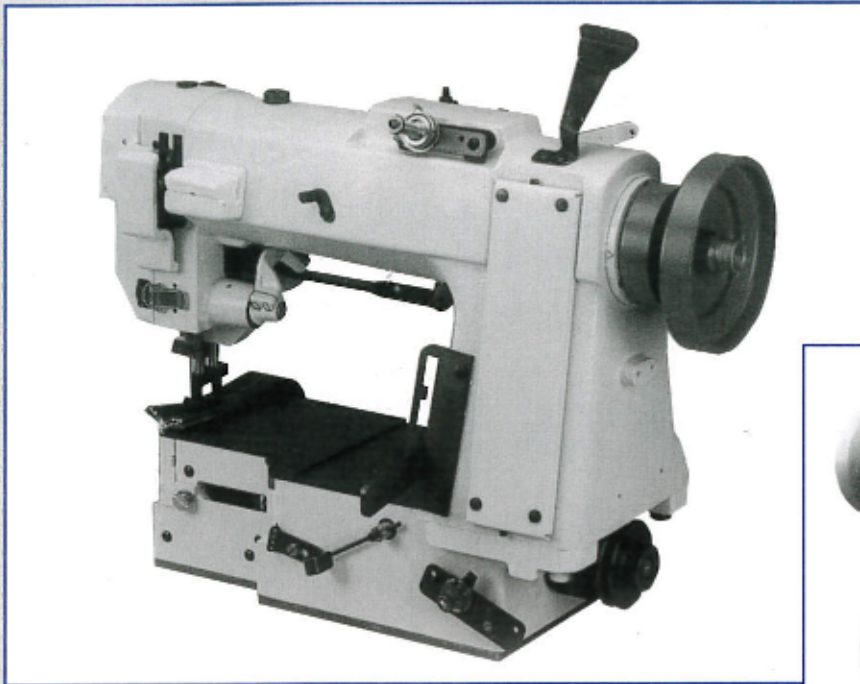




CTEC[®]

Model

CT 300UB5 TAPE EDGE



- Base machine type: 300U194A
- Machine pulley: 74 mm
- Needle: 4112-01/23
- Equipped with drive pulley on bed shaft:
64 mm diameter

- **Model CT300UB5**
- **The Ultimate Tape Edge Machine**
- **Single Needle, Two Thread, Chainstitch**

- Machine comes standard with presser foot lift and tape reel holder.
- Optional base plate adapters are available to fit the machine head to all tape edge units available.
- Smooth operation and quiet running.

DISTRIBUTED BY

THE FOX COMPANY

John E. Fox, Inc.

Serving the Sewn Products Industries For Over 70 Years

2909 Interstate Street • Charlotte, NC 28208

Phone 704-399-4581
USA 800-438-0167

Fax 704-398-1520
Fax 800-833-3907

E-mail: info@thefoxcompany.com
Web Site: www.thefoxcompany.com



Model

CT 300UB5

TAPE EDGE

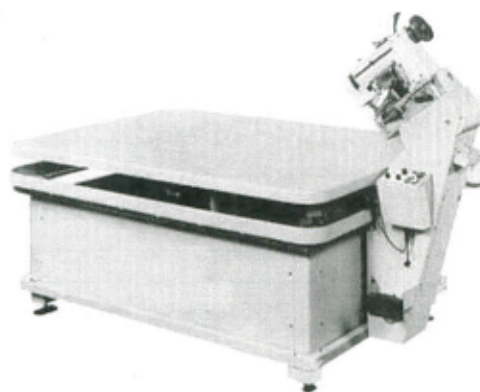
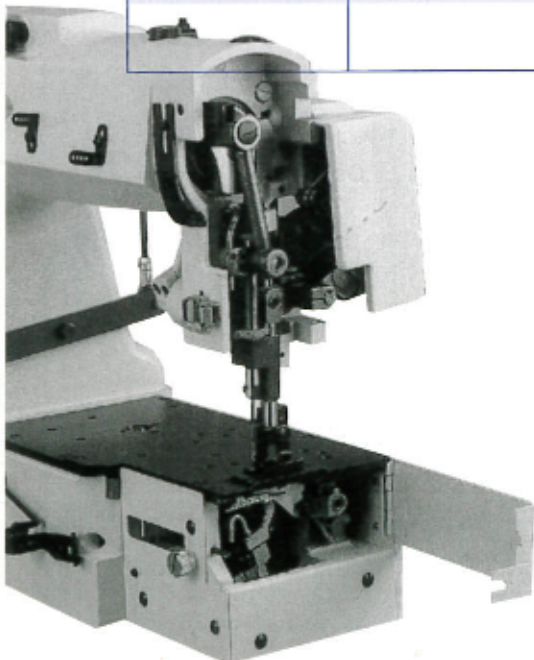


SPECIFICATIONS

Feed type:	Compound feed & alternating presser feet
Number of needles:	1
Maximum speed:	3000 S.P.M.
Maximum stitch length:	7.6 mm
Clearance under presser foot:	11.0 mm (7/16")
Needle bar stroke:	36.5 mm
Distances:	From needle to left side of machine bed is 6.9 mm. Space to left of needle is 254 mm.

Regular Fittings

Part	Part number	Part	Part number
Needle	CT4112-01/23	Lifting presser foot	CT559059
Feed dog	CT559061	Vibrating presser foot	CT559057
Throat plate	CT559060		



reference picture