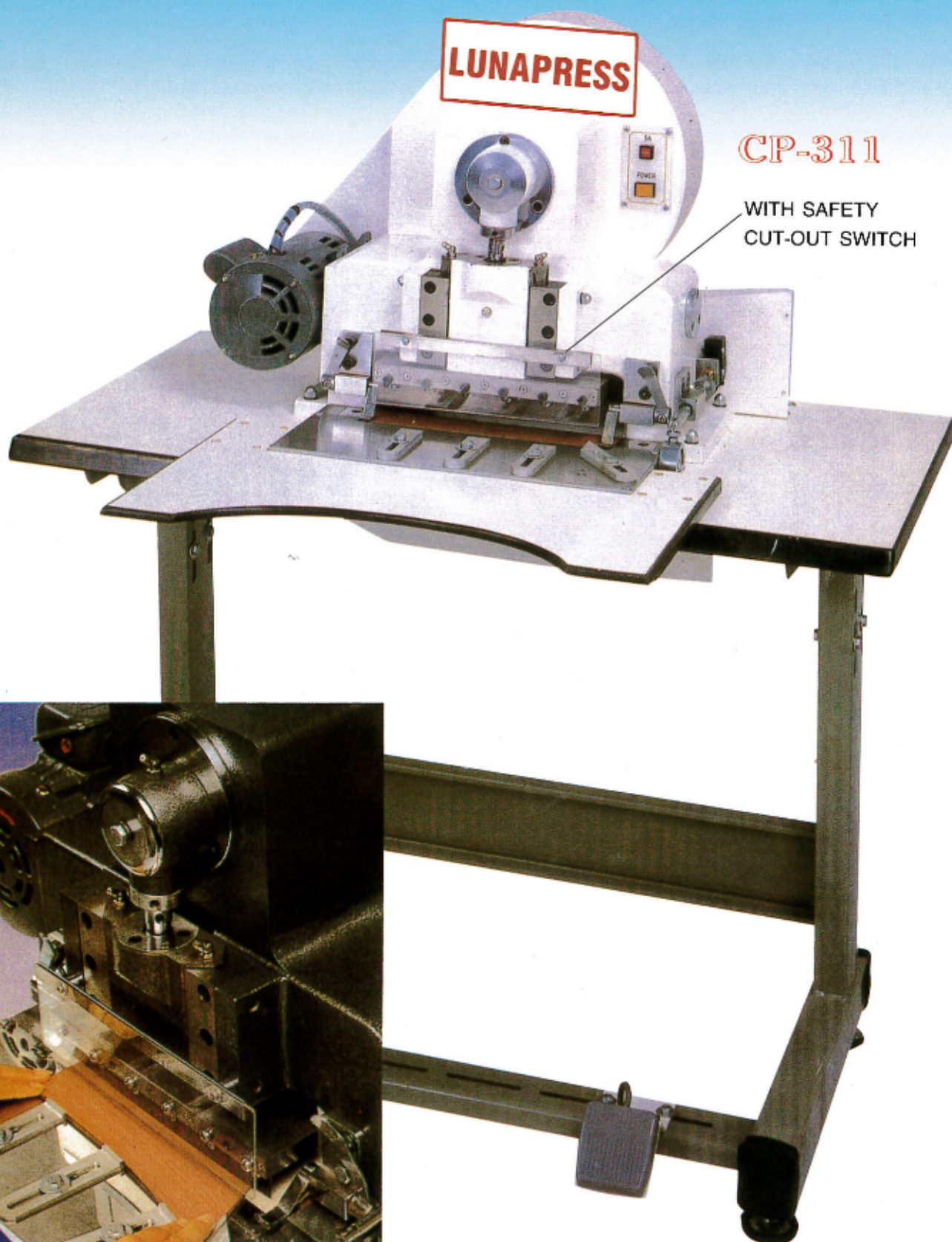


# LUNAPRESS®

CP-312

# 修領機

## 300mm Collar Contour Trimmer

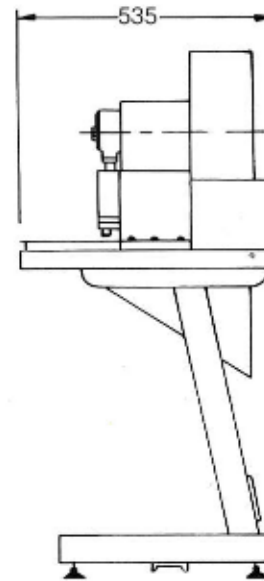
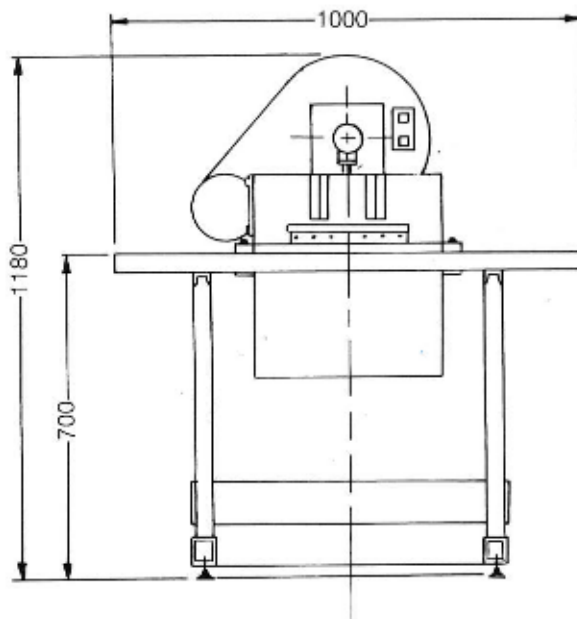
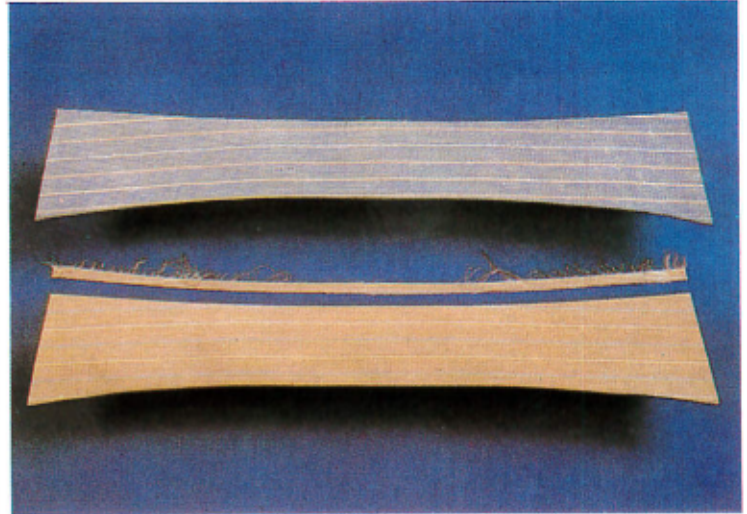
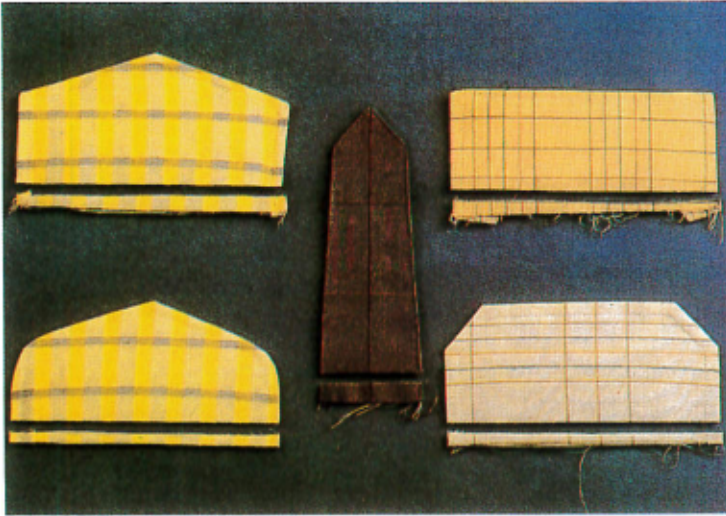


CP-311 Cutting Size 切刀 10" (250mm)

## CP-311/CP-312

## Collar Contour Trimmer

- ★ The Collar Contour Trimmer is specially designed for producing an accurate shirt collar. This machine can be easily adjusted to any curve for all shapes of collar and can trim flaps and epaulets, as well as many other items.
- ★ The auto cut-out on model CP-311 increases safety. The unit is fully electrically and electronically operated, increasing speed and reducing noise.
- ★ The blades cuts on a sheet of special cardboard that automatically indexes 1mm after every cut. This ensures each cut is on a clean surface, which reduces fabric damage and prolongs blade life.



SOLE USA  
Distributor:

**THE FOX COMPANY**

2909 Interstate Street • Charlotte, N.C. 28208  
704-399-4581 1-800-432-6305(NC)

AGENT: