

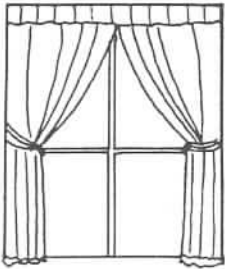


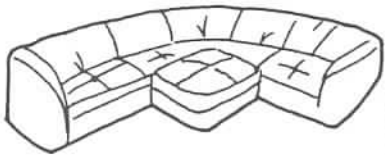

# INTERCUT<sup>®</sup> AS100



The most attractive feature of the INTERCUT<sup>®</sup> is that it out-performs machines nearly twice the price. Truly the best buy you've seen in a long time.

## FEATURES

- High torque motor (cuts the heaviest good with ease) 110V 1 phase.
- Squeeze type switch, incorporated into comfortable grip.
- Built in "Push button" sharpener.
- Hexagonal blade rotates against counter blade with scissor action strokes.
- Cut intricate curves without a snag.
- Includes: EXTRA SET OF BRUSHES, REPLACEMENT BLADE, and SPARE COUPLING.

|  |   |   |
|--|---|---|
| <p>CURTAINS<br/>BED SPREADS</p>  | <p>FOR</p> <p>CANVAS</p>    | <p>STRAIGHT CUTTING</p>  <p>PUSH-CUT TYPE WITH LONG REACH HANDLE</p> |
| <p>UPHOLSTERY</p>               | <p>BAGS</p>  <p>SENSATIONAL, ECONOMICAL &amp; EASY-TO-OPERATE HAND CUTTER FOR EFFORTLESS PRECISION CUTTING OF SMALL LAYS</p> |   |

The INTERCUT<sup>®</sup> is ideal for RECUTS, SAMPLE ROOMS, TAILORS and CUSTOM DRAPERY shops. This remarkable mini cutter offers a combination of the best features available on the more expensive machines.

|           |       |                             |
|-----------|-------|-----------------------------|
| AS 100    | \$175 |                             |
| AS 200    | \$179 | 220V 1 ph                   |
| AS 100K   | \$179 | With Safety Guard           |
| AS 100 LH | \$215 | With Long Handle            |
| AS 200 LH | \$215 | With Long Handle, 220V 1 ph |